

C Series

MODELS	LIFTING MOMENT	MAX HYDRAULIC VERTICAL REACH	STEMING ANGLE	STEMING TIME	MAX WORKING REEL	WORKING PRESSURE	CRANE WEIGHT WITHOUT STABILIZERS	WEIGHT OF SLIDING STABILIZERS	OIL TANK CAPACITY	OIL FLOW	DIMENSION
	T.m	m	°	s/180°	°	bar	kg	kg	l.	l/min	mm. B x h x S
810C-2s	9.30	9.70	405	15	4	290	1125	150	60	25	2480x2160x640
810C-3s	-	11.60	405	15	4	290	1225	150	60	25	2480x2160x640
810C-4s	-	13.70	405	15	4	290	1315	150	60	25	2480x2160x640
810C-5s	-	15.60	405	15	4	290	1385	150	60	25	2480x2160x750
814C-2s	13.2	9.98	380	25	4	270	1570	250	100	30	2480x2340x812
814C-3s	-	11.93	380	30	4	270	1680	250	100	30	2480x2340x812
814C-4s	-	13.92	380	30	4	250	1790	250	100	30	2485x2340x812
814C-5s	-	15.93	380	30	4	225	1870	250	100	30	2500x2340x910
817C-2s	15.6	10.02	380	30	4	310	1900	300	130	32	2480x2295x 970
817C-3s	-	12.00	380	30	4	310	2020	300	130	32	2480x2295x1000
817C-4s	-	13.91	380	30	4	310	2140	300	130	32	2480x2295x1000
817C-5s	-	15.98	380	30	4	310	2240	300	130	32	2480x2295x1000
817C-6s	-	18.04	380	30	4	310	2330	300	130	32	2495x2295x1000
911C-2s	9.60	9.70	405	15	4	300	1160	150	60	25	2480x2170x640
911C-3s	-	11.60	405	15	4	300	1255	150	60	25	2480x2170x640
911C-4s	-	13.70	405	15	4	300	1345	150	60	25	2480x2170x640
911C-5s	-	15.60	405	15	4	300	1415	150	60	25	2480x2170x750
924C-2s	21.50	10.05	410	22	5	320	2290	360	130	38	2520x2330x1016
924C-3s	-	12.03	410	22	5	320	2440	360	130	38	2520x2330x1016
924C-4s	-	13.95	410	22	5	320	2555	360	130	38	2520x2330x1016
924C-5s	-	16.03	410	22	5	320	2700	360	130	38	2520x2330x1016
924C-6s	-	18.11	410	22	5	320	2800	360	130	38	2520x2330x1016
933C-2s	30.3	9.10	400	25	4	305	3200	550	160	45	2500x2355x1170
933C-3s	-	10.30	400	25	4	305	3420	550	160	45	2500x2355x1170
933C-4s	-	12.30	400	25	4	305	3650	550	160	45	2500x2355x1170
933C-5s	-	14.30	400	25	4	305	3820	550	160	45	2500x2355x1170
933C-6s	-	16.60	400	25	4	305	3980	550	160	45	2500x2355x1170
933C-7s	-	18.90	400	25	4	305	4100	550	160	45	2500x2355x1220
933C-8s	-	21.30	400	25	4	305	4220	550	160	45	2530x2355x1300
936C-2s	31.0	9.10	400	25	4	320	3200	550	160	45	2500x2355x1170
936C-3s	-	10.30	400	25	4	320	3420	550	160	45	2500x2355x1170
936C-4s	-	12.30	400	25	4	320	3650	550	160	45	2500x2355x1170
936C-5s	-	14.30	400	25	4	320	3820	550	160	45	2500x2355x1170
936C-6s	-	16.60	400	25	4	320	3980	550	160	45	2500x2355x1170
936C-7s	-	18.90	400	25	4	320	4100	550	160	45	2500x2355x1220
936C-8s	-	21.30	400	25	4	320	4220	550	160	45	2530x2355x1300



Autocarro consigliato • Recommended truck • Camion conseillé
Camion aconsejado • Caminhão aconselhado

Mod.	810C	814C	817C	911C	924C	933C	936C
Passo*(mm)	3105	4185	3690	3105	3690	4200	4200
M.T.T.(ton)	12	13	17	12	17	24	24
G.V.W.(ton)	12	13	17	12	17	24	24

*) Passo - Wheelbase - Empattement - Passo

MODEL	180°	150°	120°	90°	60°	30°
810C/2S	9330* 4155 2760 2130 1480 1045 745 560 1.0 2.20 3.38 4.63 6.14 8.10 10.20 12.30					
810C/3S	9000* 4050 2590 1990 1375 1045 745 560 1.0 2.20 3.40 4.64 6.24 8.10 10.20 12.30					
810C/4S	8740* 3940 2440 1865 1265 940 745 560 1.0 2.20 3.38 4.61 6.34 8.20 10.20 12.30					
810C/5S	8540* 3850 2320 1765 1185 865 680 560 1.0 2.20 3.68 4.84 6.44 8.30 10.16 12.15					
911C/2S	8600* 4280 2840 2205 1560 1110 800 610 1.0 2.20 3.38 4.33 6.14 8.10 10.20 12.30					
911C/3S	8280* 4120 2660 2090 1440 1110 800 610 1.0 2.20 3.48 4.44 6.24 8.10 10.20 12.30					
911C/4S	8070* 4070 2525 1920 1320 1000 800 610 1.0 2.20 3.58 4.54 6.34 8.20 10.20 12.30					
911C/5S	8700* 3920 2380 1830 1240 920 720 610 1.0 2.20 3.68 4.64 6.44 8.30 10.16 12.15					
814C/2S	13200* 5200 3650 2850 2000 1400 900 610 1.0 2.30 3.60 4.88 6.45 8.50 10.37 12.78					
814C/3S	12800* 5000 3450 2660 1950 1400 900 610 380 1.0 2.30 3.69 4.97 6.54 8.52 10.37 12.78 14.87					
814C/4S	11400* 4500 3000 2300 1670 1160 830 610 380 1.0 2.30 3.78 4.76 6.63 8.61 10.59 12.78 14.87					
814C/5S	8600* 4500 2480 1880 1250 900 700 580 380 1.0 2.30 3.86 4.84 6.71 8.69 10.67 12.67 14.87					
817C/2S	15600* 7170 4450 3435 2400 1.0 2.15 3.50 4.47 6.34					
817C/3S	15500* 7000 4350 3320 2285 1725 1275 960 720 1.0 2.15 3.50 4.47 6.34 8.30 10.20 12.30 14.40					
817C/4S	14800* 6800 4360 3230 2165 1600 1275 960 720 570 1.0 2.15 3.50 4.47 6.34 8.30 10.20 12.30 14.40 16.60					
817C/5S	14600* 6700 4070 3080 2040 1480 1160 960 720 570 1.0 2.15 3.58 4.55 6.42 8.37 10.30 12.30 14.40 16.60					
817C/6S	14300* 6600 3920 2950 1930 1375 1050 850 720 570 1.0 2.15 3.66 4.63 6.50 8.45 10.40 12.40 14.40 16.60					
924C/2S	18900* 8800 5570 4400 3180 1.0 2.25 3.57 4.54 6.41					

ACCESSORI	ACCESSORIES	ACCESSOIRES	ZUBEHOERE	ACCESORIOS	ACCESORIOS
- Attivazione elementi supplementari (+)	- Supplementary element activation (+)	- Activation élément supplémentaires (+)	- Extra Funktionen (+)	- Activación elementos suplementarios (+)	- Ativação de elementos suplementares (+)
- Posto di manovra in alto	- Top seat	- Poste de manoeuvre en haut	- Hochführsitz	- Puesto de maniobra arriba	- Posto de manobra no cimo
- Verricello	- Winch	- Treuil	- Winde	- Cabrestante	- Guincho
- Comando a distanza	- Remote control	- Commande à distance	- Fernsteuerung	- Mando a distancia	- Comando a distancia

(+) No - 810C/5S - 911C/5S - 814C 5S - 817C/6S - 933C/7S-8S - 936/7S-8S

Dati, descrizioni e illustrazioni sono indicativi e non impegnano Amco Veba. Gru prodotte e/o commercializzate da Amco Veba - Data, descriptions and illustrations are merely indicative and not binding. Cranes manufactured and marketed by Amco Veba - Les données, descriptions et illustrations sont uniquement indicatives et n'engagent pas Amco Veba. Grues produites et/ou vendues par Amco Veba - Angaben, Beschreibungen und Abbildungen sind weisend und verpflichten nicht Amco Veba. Die Krane werden von Amco Veba hergestellt und/oder vermarktet - Los datos, las descripciones y las ilustraciones son indicativos y no implican compromiso para Amco Veba. Grúas producidas y/o comercializadas por Amco Veba - Os dados as descrições e ilustrações são indicativos e não comprometem Amco Veba. Guindaste produzidos e/ou comercializados pela Amco Veba.



Amco Veba s.r.l.
Via Einstein, 4
42028 Poggio (RE) Italy
Tel. +39 0522 40.80.11
Fax +39 0522 40.80.80
E-mail: commerciale@amcoveba.it
www.amcoveba.com

COMPANY WITH QUALITY SYSTEM CERTIFIED BY DNV =ISO 9001/2000=



C Series



© Fratelli Veber - Thecraneclub.com

C Series



- Limitatore di momento
- Comandi bilaterali
- Sfilii esagonali
- Mart. sfilo indipendenti
- Mart. stab. fissi
- Stabilizzatori allargabili idraulicamente
- Valvole flangiate
- Serbatoio olio
- Kit di montaggio
- Norma di progettazione: EN 12999 - DIN 15018
- Classe di collaudo a fatica: B3
- Amco Veba Power System (AVPS 911-924-936)
- Sprint Generation System (SGS)



- Load limiting device
- Dual controls
- Hexagonal section extension
- Independent extension cylinders
- Fixed stabilizer cylinders
- Outriggers with hydraulic extension
- Flanged valves
- Oil tank
- Assembly kit
- Design in accordance with: EN 12999 - DIN 15018
- Fatigue test classification: B3
- Amco Veba Power System (AVPS 911-924-936)
- Sprint Generation System (SGS)



- Limiteur de moment
- Commandes bilatérales
- Extensions hydrauliques à section hexagonale
- Vérous hydrauliques à sortie indépendante
- Béquilles fixes
- Stabilisateurs élargissables hydrauliquement
- Vannes bridées
- Réservoir pour huile
- Kit de brides de fixation
- Projet en accord aux normes: EN 12999 - DIN 15018
- Essai de fatigue avec classification: B3
- Amco Veba Power System (AVPS 911-924-936)
- Sprint Generation System (SGS)



- Momentbegrenzer
- Beiseitige Kransteuerung
- Sechskantige Auszüge
- Unabhängige Auszugszylinder
- Fixed Zylinder
- Seitlich hydraulisch ausfahrbare Abstützbeine
- Ventile mit Flansch
- Ölbehälter
- Montagesatz
- Berechnungsnorm nach: EN 12999 - DIN 15018
- Ermüdungstest in Klasse: B3
- Amco Veba Power System (AVPS 911-924-936)
- Sprint Generation System (SGS)



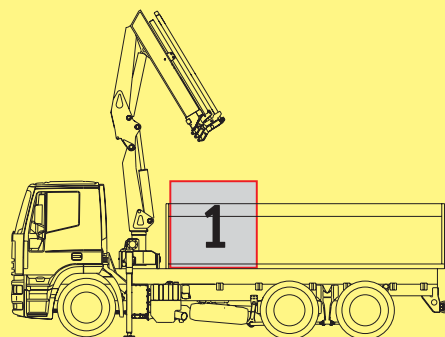
- Limitador de momento
- Mandos bilaterales
- Brazos telescópicos hexagonales
- Cilindros extensión independientes
- Gatos estabilizadores fijos
- Estabilizadores extraíbles hidráulicamente
- Válvulas flangeadas
- Depósito aceite
- Kit de ensamblaje
- Norma del proyecto: EN 12999 - DIN 15018
- Tipo de ensayo a la fatiga: B3
- Amco Veba Power System (AVPS 911-924-936)
- Sprint Generation System (SGS)



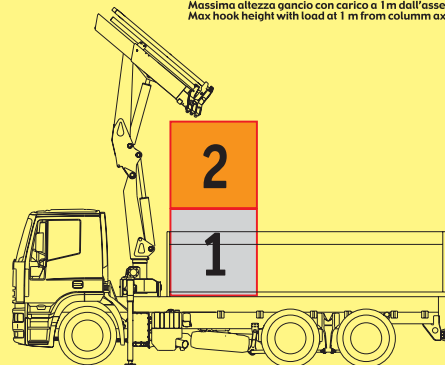
- Limitador de momento
- Comandos bilaterales
- Extensões sextavadas
- Cilindros de extensão independentes
- Gatos estabilizadores fijos
- Estabilizador alongado hidráulicamente
- Válvulas flangeadas
- Depósito de óleo
- Kit de montagem
- Norma de projeto: EN 12999 - DIN 15018
- Tipo de teste a la fatiga: B3
- Amco Veba Power System (AVPS 911-924-936)
- Sprint Generation System (SGS)

Optional

Radiocomando multifunzione abbinato a distributore proporzionale compensato (Danfoss)
 Radio remote control system with pressure compensated valve block (Danfoss)
 Radio-commande multifonctions (Danfoss)
 Multifunktions-Rundfunkbedienung (Danfoss)
 Radiocontrol multifunciones (Danfoss)
 Controle remoto multifuncional (Danfoss)



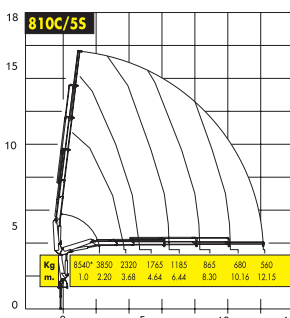
Standard



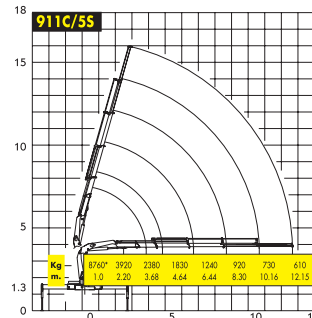
"C"

Massima altezza gancio con carico a 1m dall'asse colonna
 Max hook height with load at 1m from column axis

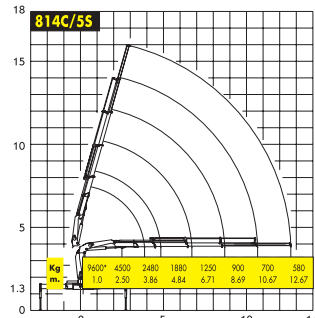
Mod.	H "C" mm	H "std" mm	Mod.
810C/2S	3790	2490	810/2S
810C/3S	3550	2360	810/3S
810C/4S	3360	2240	810/4S
810C/5S	3190	2120	810/5S
911C/2S	3790	2490	911/2S
911C/3S	3550	2360	911/3S
911C/4S	3360	2240	911/4S
911C/5S	3190	2120	911/5S
814C/2S	3410	2430	815/2S
814C/3S	3300	2340	815/3S
814C/4S	3200	2240	815/4S
814C/5S	3100	2150	815/5S
817C/2S	3215	2200	817/2S
817C/3S	3215	2240	817/3S
817C/4S	3215	2240	817/4S
817C/5S	3165	2140	817/5S
817C/6S	3125	2060	817/6S
924C/2S	3550	2310	924/2S
924C/3S	3500	2290	924/3S
924C/4S	3500	2290	924/4S
924C/5S	3360	2220	924/5S
924C/6S	3250	2150	924/6S
933C/2S	4035	2840	933/2S
933C/3S	4035	2840	933/3S
933C/4S	3795	2720	933/4S
933C/5S	3610	2600	933/5S
933C/6S	3450	2490	933/6S
933C/7S	3320	2320	933/7S
933C/8S	3050	2180	933/8S
936C/2S	4035	2840	936/2S
936C/3S	4035	2840	936/3S
936C/4S	3795	2720	936/4S
936C/5S	3610	2600	936/5S
936C/6S	3450	2490	936/6S
936C/7S	3230	2320	936/7S
936C/8S	3050	2180	936/8S



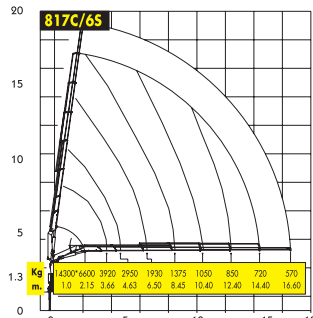
H 810C/2S = 3790
 H 810C/3S = 3550
 H 810C/4S = 3360
 H 810C/5S = 3190



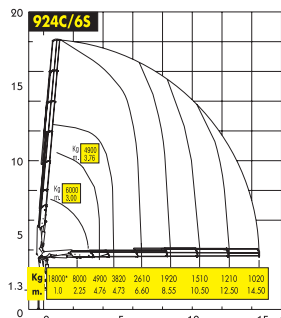
H 911C/2S = 3790
 H 911C/3S = 3550
 H 911C/4S = 3360
 H 911C/5S = 3190



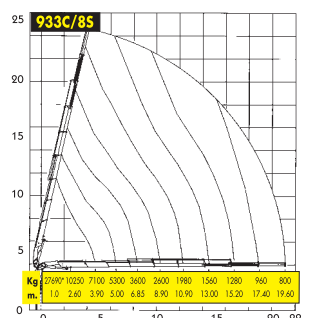
H 814C/2S = 3410
 H 814C/3S = 3300
 H 814C/4S = 3200
 H 814C/5S = 3100



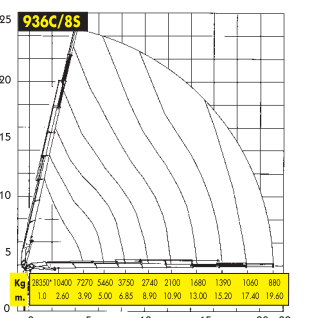
H 817C/2S = 3215
 H 817C/3S = 3215
 H 817C/4S = 3215
 H 817C/5S = 3165
 H 817C/6S = 3125



H 924C/2S = 3550
 H 924C/3S = 3500
 H 924C/4S = 3500
 H 924C/5S = 3360
 H 924C/6S = 3250



H 933C/2S = 4035
 H 933C/3S = 4035
 H 933C/4S = 3795
 H 933C/5S = 3610
 H 933C/6S = 3450
 H 933C/7S = 3230
 H 933C/8S = 3050



H 936C/2S = 4035
 H 936C/3S = 4035
 H 936C/4S = 3795
 H 936C/5S = 3610
 H 936C/6S = 3450
 H 936C/7S = 3230
 H 936C/8S = 3050

(*) Portata teorica - Theoretical lifting capacity